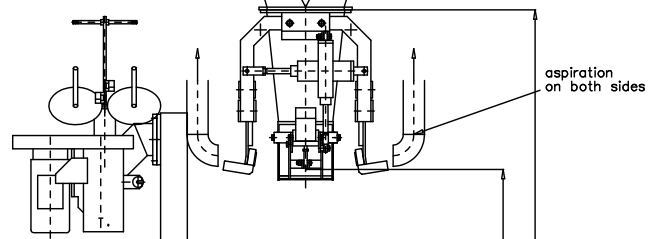
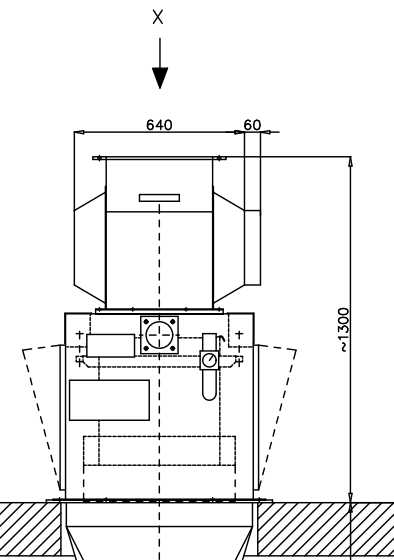
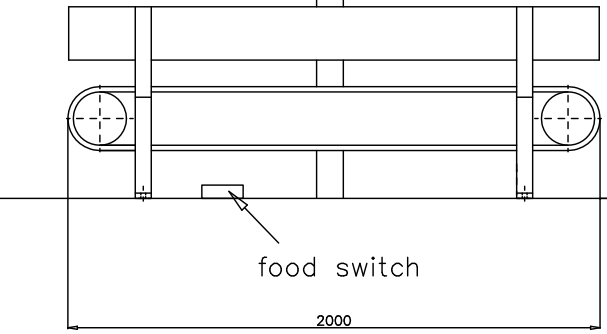


by customer



aspiration on both sides



food switch

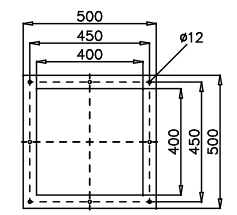
2000

1300

1900

depending on height of ceiling

View X



Note:

- Frequency at the weigher support point with weigher under full load in any plane ≥ 12 Hz
- The deflection at the weigher support steel in anyplane $< 1,65$ mm

Chrotec GmbH Haberstraße 6 D-03775 Hennersdorf Tel: 03242/988040 Fax: 03242/988043		Modell: 1:10 Gewicht:	
Verwendungsbereich		Benennung: Net-weigher with belt dosing	
Jahr	Datum	Name	Koder
2008	30.07.		
Zul. Norm		Oberflächennorm	
DIN ISO 2768-m		ISO 1302	
		Rz, Rp, Rn	
		DIN 4768	
Zust.		Blatt:	
Anderung		1 CAD	
		1 A1	