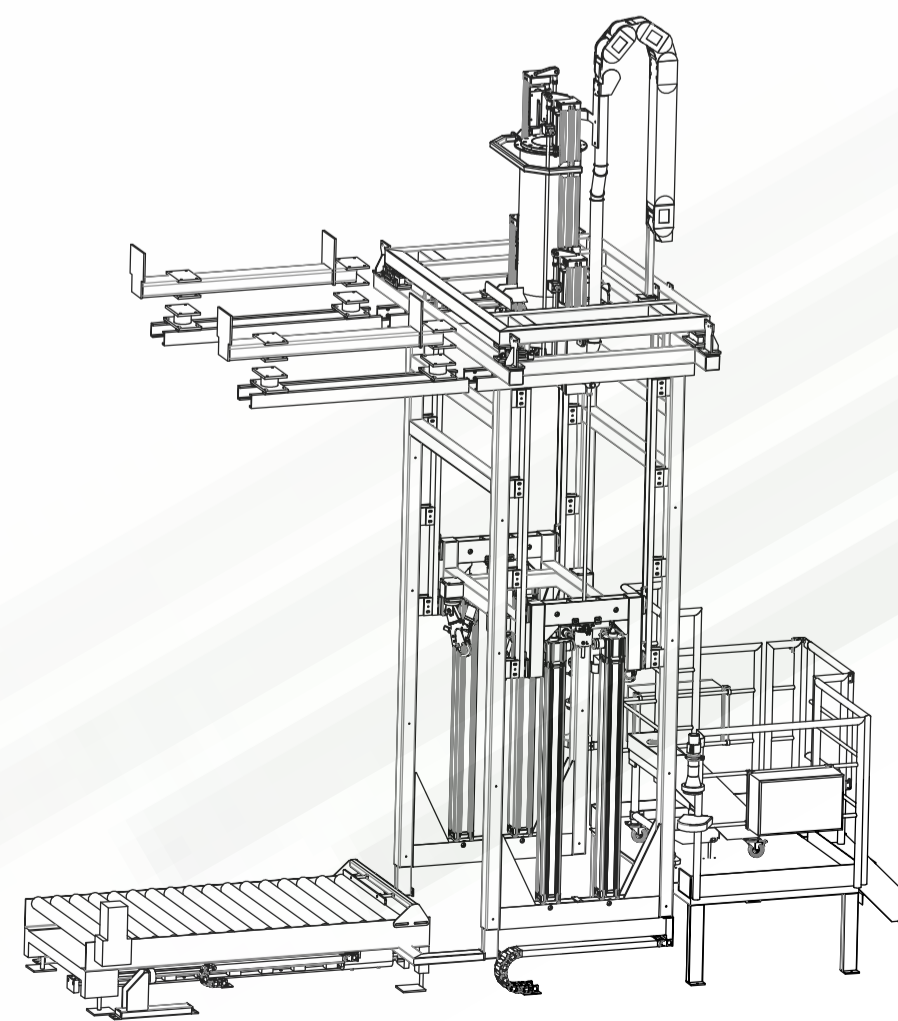
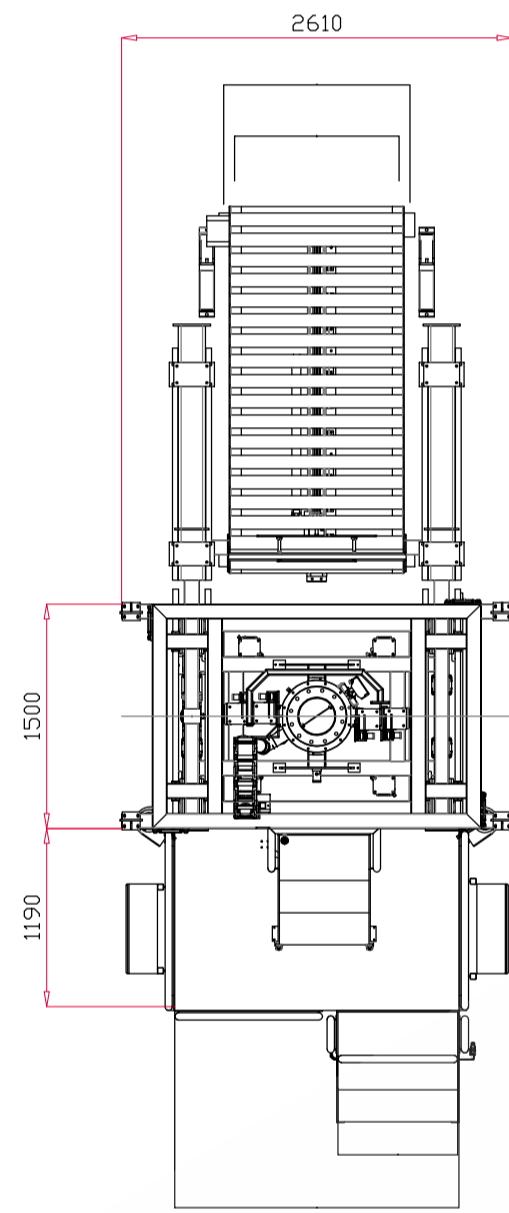
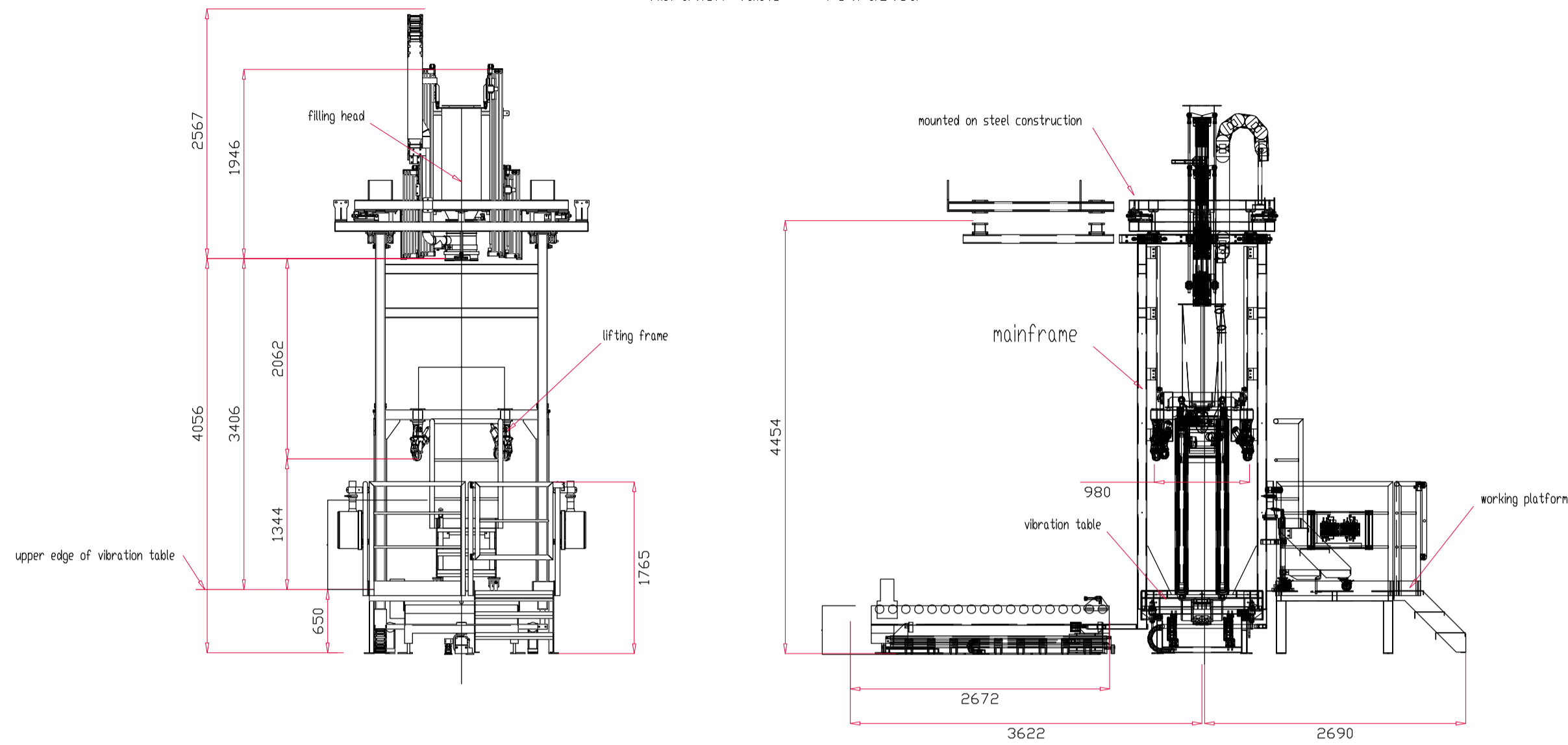


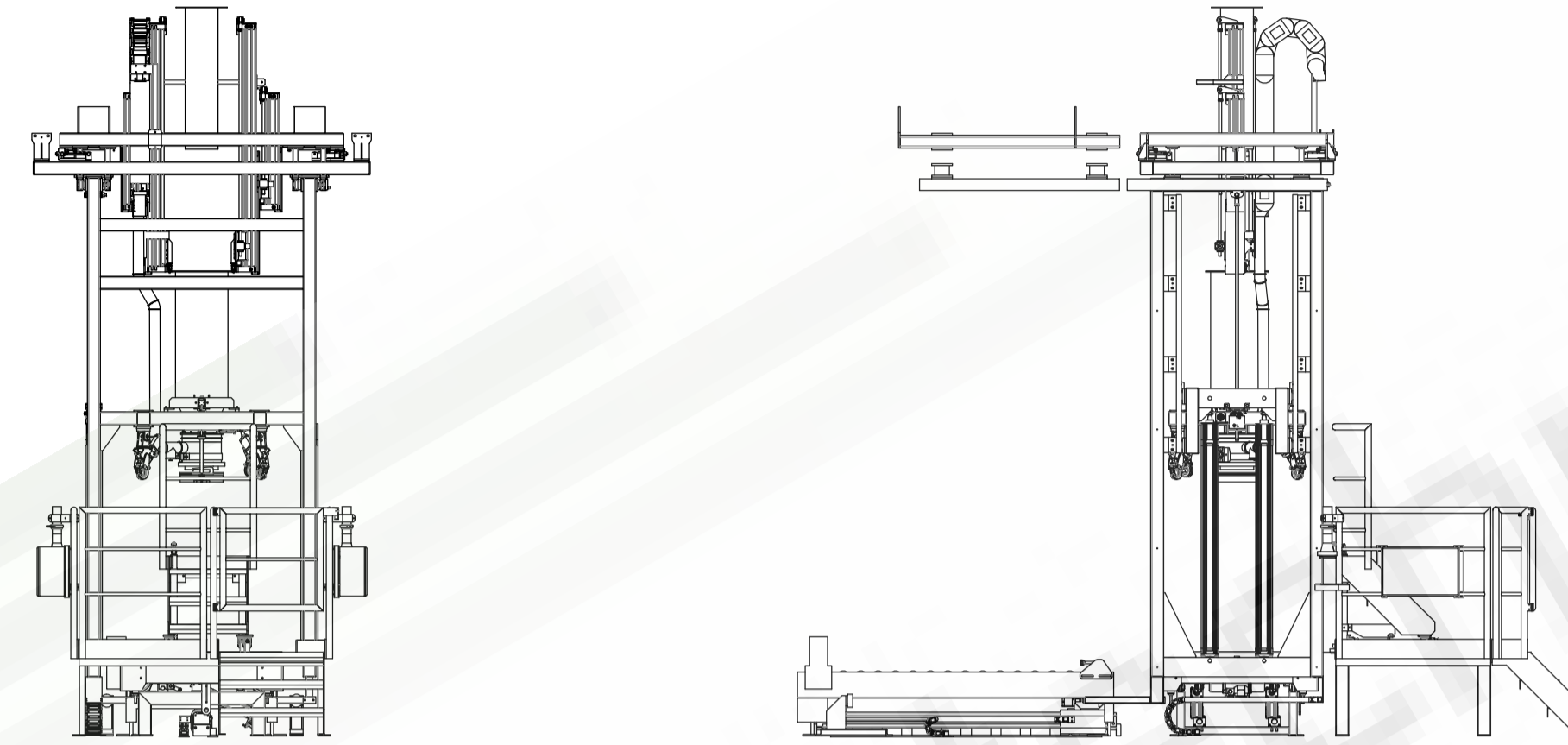
Basic position

- mainframe: white space
- filling head: upper position
- lifting frame: lower position
- vibration table: retracted



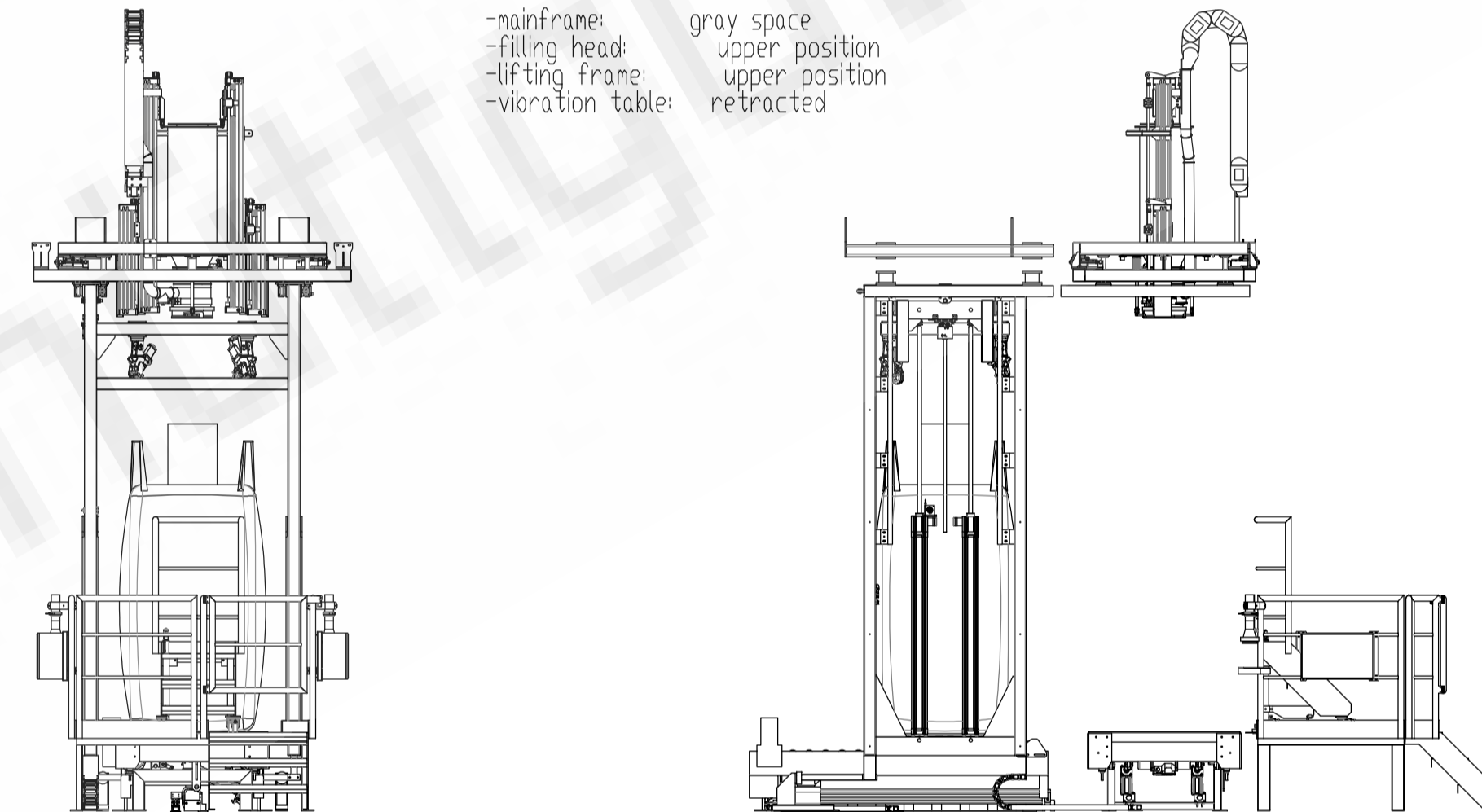
Filling position

- mainframe: white space
- filling head: individual position (different sizes of the big bags)
- lifting frame: individual position (different sizes of the big bags)
- vibration table: retracted



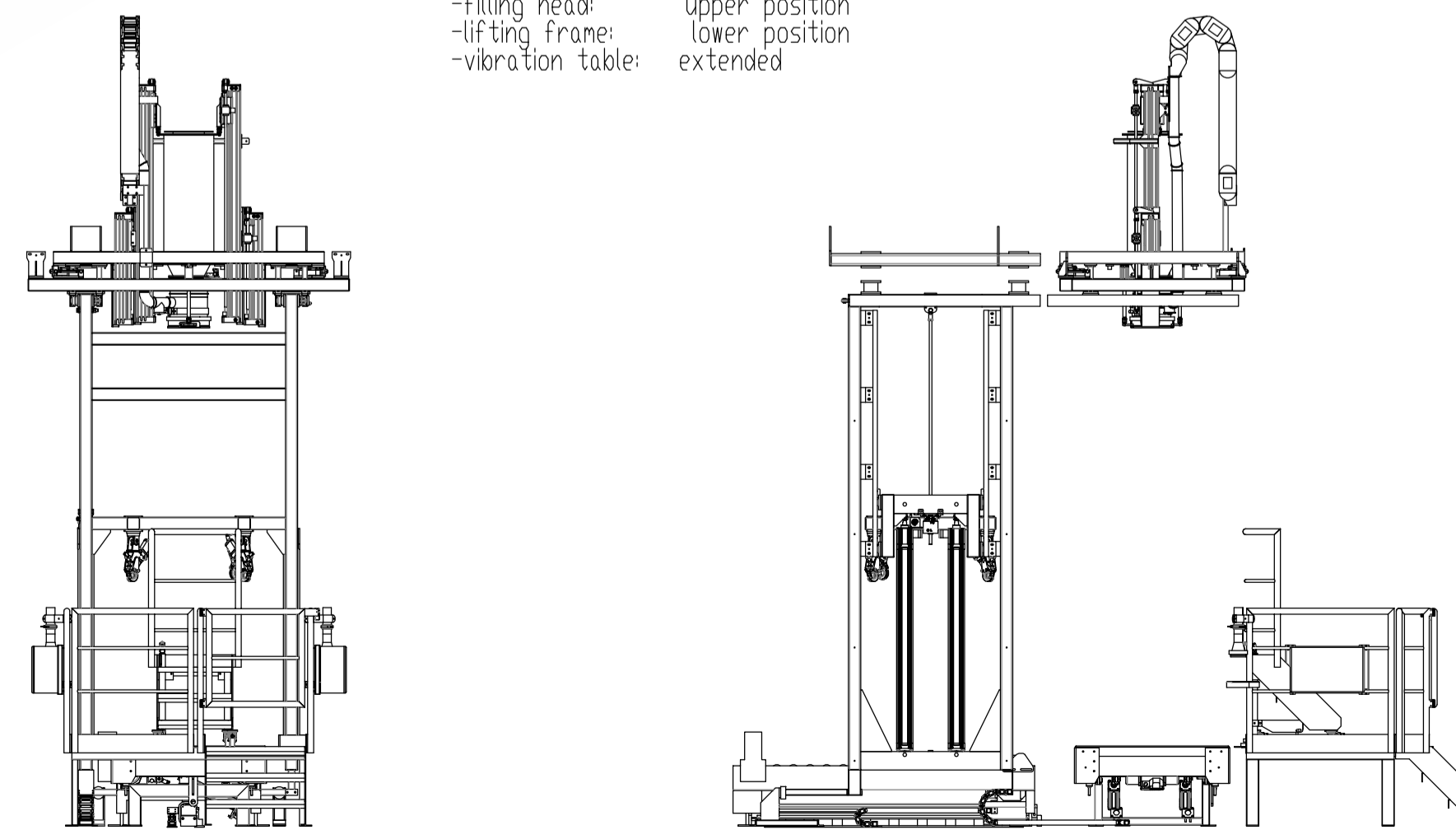
Implement of the full big bag into the gray space

- mainframe: gray space
- filling head: upper position
- lifting frame: upper position
- vibration table: retracted



Cleaning position

- mainframe: gray space
- filling head: upper position
- lifting frame: lower position
- vibration table: extended



		D-53773 Hennef Kolberger Str. 7 Tel. 02242/91346-0 Fax 02242/91346-29		Maßstab: 1:50	Gewicht:
Verwendungsbereich		2016 Bearb. Gepr. Norm	Datum TS	Benennung: Big-Bag-Befüllanlage SBB-2000 - hygienic	
		Zul. Abw. DIN ISO 2768-m	Oberfläche ISO 1302	Zeichnungsnummer:	
Zust. Änderung Datum Name		Blatt: 1 1		CAD A1	